

Air Top 2000 ST

Air Heater



Cab heating, fuel savings and emissions reduction

The Air Top 2000 ST is the most popular choice in idle reduction technology. Millions are being used in various applications around the world. Perfect for cab heating, the Air Top 2000 ST gets the job done with 7,000 Btu/h of heat output. This compact unit is low on maintenance, service-friendly and the most efficient air heater on the market. The Air Top 2000 ST can pay for itself within months.

Air Heater Features:

- Provides rapid cab heat without idling
- Uses as little as 1 Gallon of fuel in a 22 hour period
- CARB approved and EPA SmartWay verified
- Fast Return on Investment
- Quiet operation ensures a restful night's sleep
- Full diagnostics with PC interface available
- High heat output in a compact design
- Proven quality & reliable performance
- Tested & Verified
- 7,000 Btu/h output



Technical Specifications

	Air Top 2000 ST
Heating Capacity	3,100 – 7,000 Btu/h (0.9 – 2.0 kW)
Fuel	Diesel #1, Diesel #2, Arctic, Biodiesel B5 & B20
Fuel Consumption	0.03 – 0.06 gal/h (0.12 – 0.24 l/h)
Rated Voltage	12 or 24 V
Operating Voltage Range	10.5 – 16 or 12 – 32 V
Rated Input	1.25 – 2.45 Amps (14 – 29 Watts)
Air Flow	37 cfm (63 m ³ /h)
Dimensions (L x W x H)	12.25 x 4.78 x 4.85 in (311 x 120 x 121 mm)
Weight	5.73 lbs (2.6 kg)

Available Air Top 2000 ST Heater Kits:

Air Top 2000 ST Diesel Kit (12 V) - Part No: 5001114A

Air Top 2000 ST Diesel Kit (24 V) - Part No: 5001314A

Standard Kit Components:

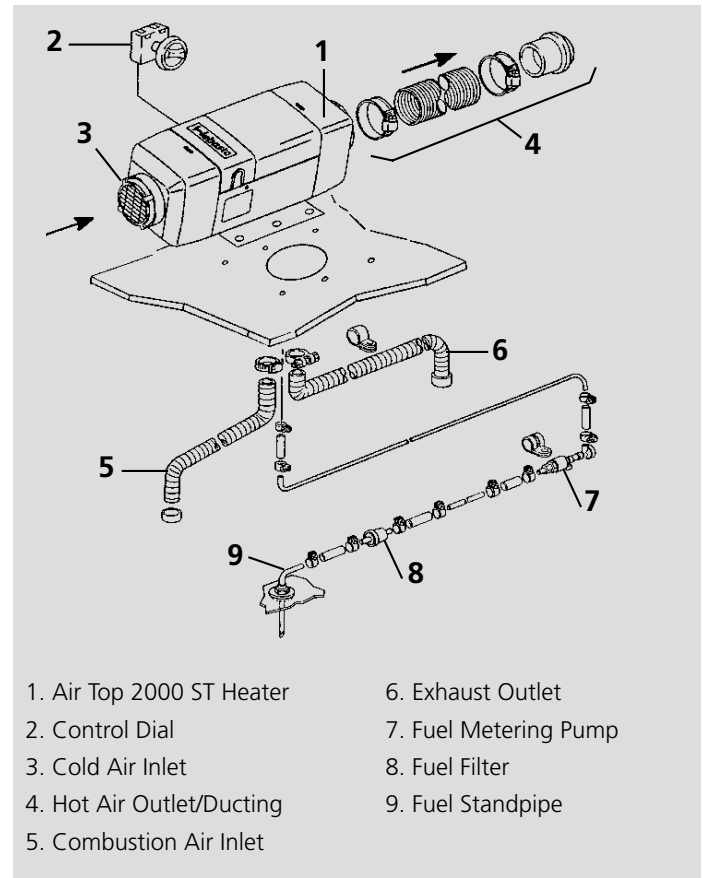
- Integrated Control Unit
- On/Off Switch with Variable Temperature Control
- Fuel Metering Pump w/Mounting Bracket
- Fuel Line and Fuel Filter
- Universal Fuel Standpipe
- Heater Mounting Bracket w/Gasket
- Wiring Harness w/Fuse Holder
- Exhaust Tubing
- Combustion Air Tubing and Heater Ducting
- Air Inlet/Outlet Vent
- Operation/Installation Manual
- 2 Year/2000 Hour Limited Warranty

Optional Accessories:

7-Day Comfort Timer - Part No: 88206A

Remote Temperature Sensor - Part No: 9005004B

System Schematic



- | | |
|---------------------------|-----------------------|
| 1. Air Top 2000 ST Heater | 6. Exhaust Outlet |
| 2. Control Dial | 7. Fuel Metering Pump |
| 3. Cold Air Inlet | 8. Fuel Filter |
| 4. Hot Air Outlet/Ducting | 9. Fuel Standpipe |
| 5. Combustion Air Inlet | |

Webasto Thermo & Comfort
North America, Inc.

15083 North Road
Fenton, Michigan 48430
USA

Toll Free: 800-860-7866
Phone: 810-593-6000